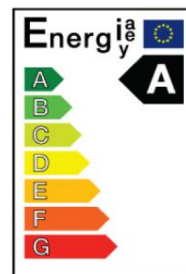


SAMSUNG ELECTRONICS LED Lamp **PAR38 / 18W / E27 / 40° / 2700K**

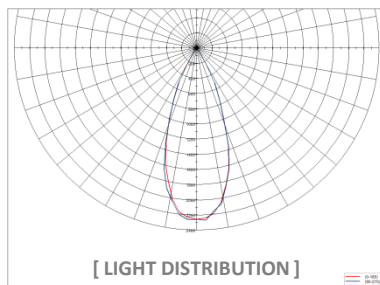
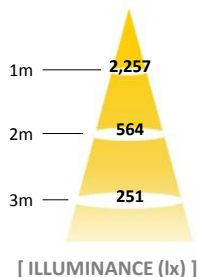
■ **Product**



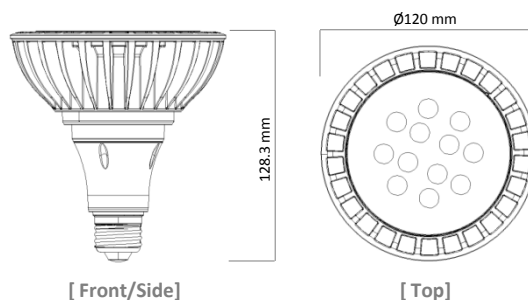
Maker	Samsung Electronics
-	-
Model Code / EAN Code	SI-P8W183DD1EU / 8809296763093
Voltage	AC 220~240V
Power Consumption	18W
Type of Lamp	LED lamp with integrated ballast
Lamp Socket holder	E27



■ **Lighting Data**



■ **Dimensional drawing**



■ **Specifications**

Type	PAR 38	Beam angle (°)	40
Equivalent to (W)	100	Operating temperature (°C)	-20~+40
Wattage (W)	18	Average lifetime (hrs)	40,000 (40.6 years*)
Lumen output (lm)	1,030	Color description	Warm White
Lamp efficacy (lm/W)	57	Color temperature (K)	2725±145
Voltage (V)	AC 220~240	Color rendering index (Ra)	80
Frequency (Hz)	50/60	Diameter (mm)	120
Input current (mA)	85	Overall length (mm)	128.3
Power factor	≥ 0.9	Dimmable	Yes
CBCP (cd)	2,280	Weight (g)	600
On/Off cycles	-	Certification	CE

* Specifications are subject to change without notice. *years : Average usage of 2.7hrs per Day

■ **Application**

- Public areas (lobbies, corridors, stairwells), Restaurants, Shops, Bars, Cafés

■ **Packaging Details**

Packaging Type(Std.Pkg.Q'ty)	Single Box (1pc)	Middle Box (6pc/box)	Outer carton (12pc/box)
Dimensions (L×W×H)	133mm×133mm×150mm	416mm×278mm×160mm	580mm×432mm×178mm
Gross Weight (g)	740	4,730	10,480

■ **Customer Benefits**

- 100W equivalent light levels and distribution by using standard (ANSI) base/socket and form factors
- 82% less energy consumption compared to traditional lamps
- more than 40,000 hours average operating life (20 times longer than halogen lamps)
- contains no mercury or hazardous materials (RoHS Compliant) / • emits no UV or IR radiation
- suitable for public areas that must always be lit: long lifetime (40,000 hours) & high efficiency

SAMSUNG ELECTRONICS LED Lamp **Dimmable PAR38 _18.0W**

■ **PAR38 (100W Equivalent)**



Product Code	EAN Code	Specification
SI-P8W183DB1EU	8809296761464	1,030lm / 18.0W / 25D / 2700K / E27
SI-P8W183DD1EU	8809296763093	1,030lm / 18.0W / 40D / 2700K / E27

Samsung LED Lamps are compatible with most forward phase dimmers and dimming systems. They are not compatible with reverse phase or ELV dimmers.

■ **Dimmer Compatibility**

Dimmer						Dimming Level @ 1 lamp (flux%)		Dimming Performance @ Multi-Lamps			
Manufacturer	Model	Power	Input	Frequency	Country/Region	Max	Min	2 Lamp	3 Lamp	4 Lamp	5 Lamp
BERKER	2830 10	60~400W	230~240V	50/60Hz	EU	100%	20%	Good	Good	Good	Good
BERKER	2873	20~500W	230~240V	50Hz	EU	100%	20%	Good	Good	Good	Good
PEHA	433HAB	20~315W	230V	50Hz	EU	100%	22%	Good	Good	Good	Good
JUNG	266GDE	60~600W	230~240V	50Hz	EU	100%	22%	Good	Good	Good	Good
JUNG	211GDE	100~1000W	230~240V	50Hz	EU	100%	25%	Good	Good	Good	Good
JUNG	225NVDE	20~500W	230~240V	50Hz	EU	100%	18%	Good	Good	Good	Good
GIRA	1184 00/I01	60~400W	230~240V	50/60Hz	EU	100%	21%	Good	Good	Good	Good
GIRA	0302 00/I01	60~600W	230~240V	50Hz	EU	100%	22%	Good	Good	Good	Good
BUSCH-JAEGER	2200U-503	60~400W	230V	50Hz	EU	100%	25%	Good	Good	Good	Good
BUSCH-JAEGER	2247U	500W	230V	50Hz	EU	100%	27%	Good	Good	Good	Good
BUSCH-JAEGER	6513U-102	40~420W	230V	50Hz	EU	100%	20%	Good	Good	Good	Good
BUSCH-JAEGER	2250U	600W	230V	50Hz	EU	100%	17%	Good	Good	Good	Good
BUSCH-JAEGER	6591U-101	420W	230V	50/60Hz	EU	100%	21%	Good	Good	Good	Good
GIRA	0307/00	60~400W	230V	50Hz	EU	100%	19%	Good	Good	Good	Good
PEHA	434	60~400W	230V	50/60Hz	EU	not compatible		Working	Working	Working	Working

Note 1. Dimming Performance : Good(Dimming Coverage without flicker : 75% ↑), Working(41~74%), Poor(40% ↓)