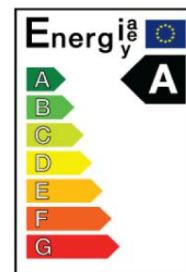


SAMSUNG ELECTRONICS LED Lamp PAR30 / 15W / E27 / 40° / 2700K

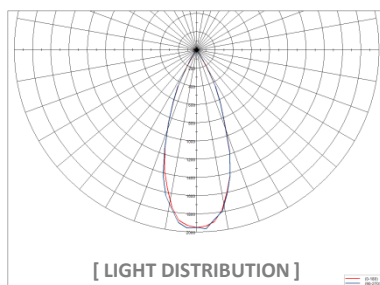
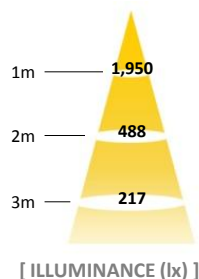
■ Product



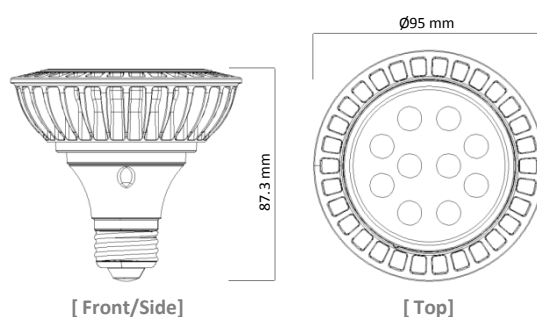
Maker	Samsung Electronics
-	-
Model Code / EAN Code	SI-P8W152BD1EU / 8809296762829
Voltage	AC 220~240V
Power Consumption	15W
Type of Lamp	LED lamp with integrated ballast
Lamp Socket holder	E27



■ Lighting Data



■ Dimensional drawing



■ Specifications

Type	PAR 30	Beam angle (°)	40
Equivalent to (W)	75	Operating temperature (°C)	-20~+40
Wattage (W)	15	Average lifetime (hrs)	40,000 (40.6 years*)
Lumen output (lm)	890	Color description	Warm White
Lamp efficacy (lm/W)	59	Color temperature (K)	2725±145
Voltage (V)	AC 220~240	Color rendering index (Ra)	80
Frequency (Hz)	50/60	Diameter (mm)	95
Input current (mA)	70	Overall length (mm)	87.3
Power factor	≧ 0.9	Dimmable	Yes
CBCP (cd)	1,870	Weight (g)	288
On/Off cycles	-	Certification	CE

* Specifications are subject to change without notice. *years : Average usage of 2.7hrs per Day

■ Application

- Public areas (lobbies, corridors, stairwells), Restaurants, Shops, Bars, Cafés

■ Packaging Details

Packaging Type(Std.Pkg.Q'ty)	Single Box (1pc)	Middle Box (6pc/box)	Outer carton (36pc/box)
Dimensions (L×W×H)	103mm×103mm×104mm	319mm×213mm×109mm	665mm×330mm×238mm
Gross Weight (g)	360	2,320	14,830

■ Customer Benefits

- 75W equivalent light levels and distribution by using standard (ANSI) base/socket and form factors
- 80% less energy consumption compared to traditional lamps
- more than 40,000 hours average operating life (20 times longer than halogen lamps)
- contains no mercury or hazardous materials (RoHS Compliant) / • emits no UV or IR radiation
- suitable for public areas that must always be lit: long lifetime (40,000 hours) & high efficiency

SAMSUNG ELECTRONICS LED Lamp **Dimmable PAR30 _15.0W**

■ **PAR30 (75W Equivalent)**



Product Code	EAN Code	Specification
SI-P8W152BB1EU	8809296761457	890lm / 15.0W / 25D / 2700K / E27
SI-P8W152BD1EU	8809296762829	890lm / 15.0W / 40D / 2700K / E27

Samsung LED Lamps are compatible with most forward phase dimmers and dimming systems. They are not compatible with reverse phase or ELV dimmers.

■ **Dimmer Compatibility**

Dimmer						Dimming Level @ 1 lamp (flux%)		Dimming Performance @ Multi-Lamps			
Manufacturer	Model	Power	Input	Frequency	Country/Region	Max	Min	2 Lamp	3 Lamp	4 Lamp	5 Lamp
BERKER	2830 10	60~400W	230~240V	50/60Hz	EU	100%	7%	Good	Good	Good	Good
BERKER	2873	20~500W	230~240V	50Hz	EU	100%	4%	Good	Good	Good	Good
PEHA	433HAB	20~315W	230V	50Hz	EU	100%	13%	Good	Good	Good	Good
PEHA	434	60~400W	230V	50/60Hz	EU	100%	6%	POOR	Good	Good	Good
JUNG	266GDE	60~600W	230~240V	50Hz	EU	100%	4%	Good	Good	Good	Good
JUNG	211GDE	100~1000W	230~240V	50Hz	EU	100%	28%	Good	Good	Good	Good
JUNG	225NVDE	20~500W	230~240V	50Hz	EU	100%	8%	Good	Good	Good	Good
GIRA	1184 00/I01	60~400W	230~240V	50/60Hz	EU	100%	4%	POOR	Good	Good	Good
GIRA	0302 00/I01	60~600W	230~240V	50Hz	EU	100%	4%	Good	Good	Good	Good
BUSCH-JAEGER	2247U	500W	230V	50Hz	EU	100%	7%	Good	Good	Good	Good
BUSCH-JAEGER	6513U-102	40~420W	230V	50Hz	EU	100%	17%	Good	Good	Good	Good
BUSCH-JAEGER	2250U	600W	230V	50Hz	EU	100%	2%	Good	Good	Good	Good
BUSCH-JAEGER	6591U-101	420W	230V	50/60Hz	EU	100%	17%	Good	Good	Good	Good
GIRA	0307/00	60~400W	230V	50Hz	EU	100%	12%	Good	Good	Good	Good
BUSCH-JAEGER	2200U-503	60~400W	230V	50Hz/60Hz	EU	not compatible		Good	Good	Good	Good

Note 1. Dimming Performance : Good(Dimming Coverage without flicker : 75% ↑), Working(41~74%), Poor(40% ↓)