
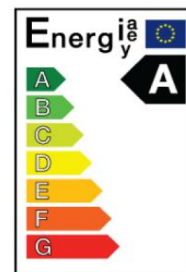


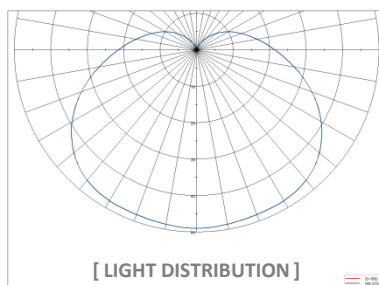
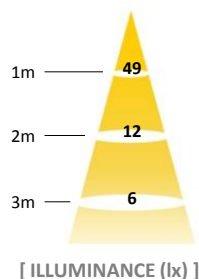
SAMSUNG ELECTRONICS LED Lamp Candle / 5.2W / E14 / 170° / 2700K

■ Product

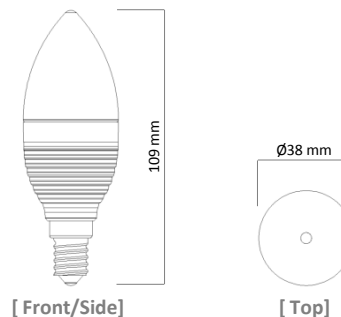
	Maker	Samsung Electronics
	-	-
	Model Code / EAN Code	SI-A8W052180EU / 8806085179714
	Voltage	AC 220~240V
	Power Consumption	5.2W
	Type of Lamp	LED lamp with integrated ballast
Lamp Socket holder		E14



■ Lighting Data



■ Dimensional drawing



■ Specifications

Type	Candle (B35/Frosted)	Beam angle (°)	170
Equivalent to (W)	25	Operating temperature (°C)	-20~+40
Wattage (W)	5.2	Average lifetime (hrs)	15,000 (15.2 years*)
Lumen output (lm)	300	Color description	Warm White
Lamp efficacy (lm/W)	58	Color temperature (K)	2725±145
Voltage (V)	AC 220~240	Color rendering index (Ra)	80
Frequency (Hz)	50/60	Diameter (mm)	38
Input current (mA)	35	Overall length (mm)	109
Power factor	≧ 0.7	Dimmable	YES
CBCP (cd)	-	Weight (g)	60
On/Off cycles	50,000	Certification	CE

* Specifications are subject to change without notice. *years : Average usage of 2.7hrs per Day

■ Application

- Residential areas, Hotels, Restaurants, Historical buildings, Chandeliers (suitable for decorative lighting)

■ Packaging Details

Packaging Type(Std.Pkg.Q'ty)	Single Box (1pc)	Middle Box (6pc/box)	Outer carton (24pc/box)
Dimensions (L×W×H)	84mm×46mm×149mm	177mm×150mm×157mm	318mm×188mm×336mm
Gross Weight (g)	97	690	3,300

■ Customer Benefits

- 25W equivalent light levels and distribution by using standard (ANSI) base/socket and form factors
- 79% less energy consumption compared to traditional lamps
- more than 15,000 hours average operating life (15 times longer than candle lamps)
- contains no mercury or hazardous materials (RoHS Compliant) / emits no UV or IR radiation
- lower maintenance costs (long lifetime → reduced re-lamping frequency): chandeliers or modern luminaires

SAMSUNG ELECTRONICS LED Lamp **Dimmable Candle _5.2W**

■ **Candle (25W Equivalent)**



Product Code	EAN Code	Specification
SI-A8W051180EU	8806085179721	300lm / 5.2W / 170D / 2700K / E14 /Clear
SI-A8W052180EU	8806085179714	300lm / 5.2W / 170D / 2700K / E14 /Frosted
SI-A8W051181EU	8806085164482	300lm / 5.2W / 170D / 2700K / E14 /Clear
SI-A8W052181EU	8806085174955	300lm / 5.2W / 170D / 2700K / E14 /Frosted

Samsung LED Lamps are compatible with most forward phase dimmers and dimming systems. They are not compatible with reverse phase or ELV dimmers.

■ **Dimmer Compatibility**

Dimmer						Dimming Level @ 1 lamp (flux%)		Dimming Performance @ Multi-Lamps			
Manufacturer	Model	Power	Input	Frequency	Country/Region	Max	Min	2 Lamp	3 Lamp	4 Lamp	5 Lamp
BERKER	2873	20~500W	230~240V	50Hz	EU	100%	27%	Good	Good	Good	Good
PEHA	433HAB	20~315W	230V	50Hz	EU	100%	82%	poor	poor	poor	poor
JUNG	266GDE	60~600W	230~240V	50Hz	EU	100%	28%	Good	Good	Good	Good
JUNG	211GDE	100~1000W	230~240V	50Hz	EU	not compatible		not compatible			
JUNG	225NVDE	20~500W	230~240V	50Hz	EU	100%	27%	Good	Good	Good	Good
BERKER	2866 10	20~500W	230~240V	50/60Hz	EU	100%	29%	Good	Good	Good	Good
BTICINO	A5702	60~500W	230V	50Hz	EU	not compatible		not compatible			
GIRA	0302 00/I01	60~600W	230~240V	50Hz	EU	100%	18%	Good	Good	Good	Good
BUSCH-JAEGER	2200U-503	60~400W	230V	50Hz	EU	100%	11%	Good	Good	Good	Good
BUSCH-JAEGER	2247U	500W	230V	50Hz	EU	100%	32%	Working	Working	Working	Working
BUSCH-JAEGER	6513U-102	40~420W	230V	50Hz	EU	100%	33%	Working	Working	Working	Working
BUSCH-JAEGER	2250U	600W	230V	50Hz	EU	100%	29%	Good	Good	Good	Good
BUSCH-JAEGER	6591U-101	420W	230V	50/60Hz	EU	not compatible		not compatible			
GIRA	0307/00	60~400W	230V	50Hz	EU	not compatible		not compatible			

Note 1. Dimming Performance : Good(Dimming Coverage without flicker : 75% ↑), Working(41~74%), Poor(40% ↓)